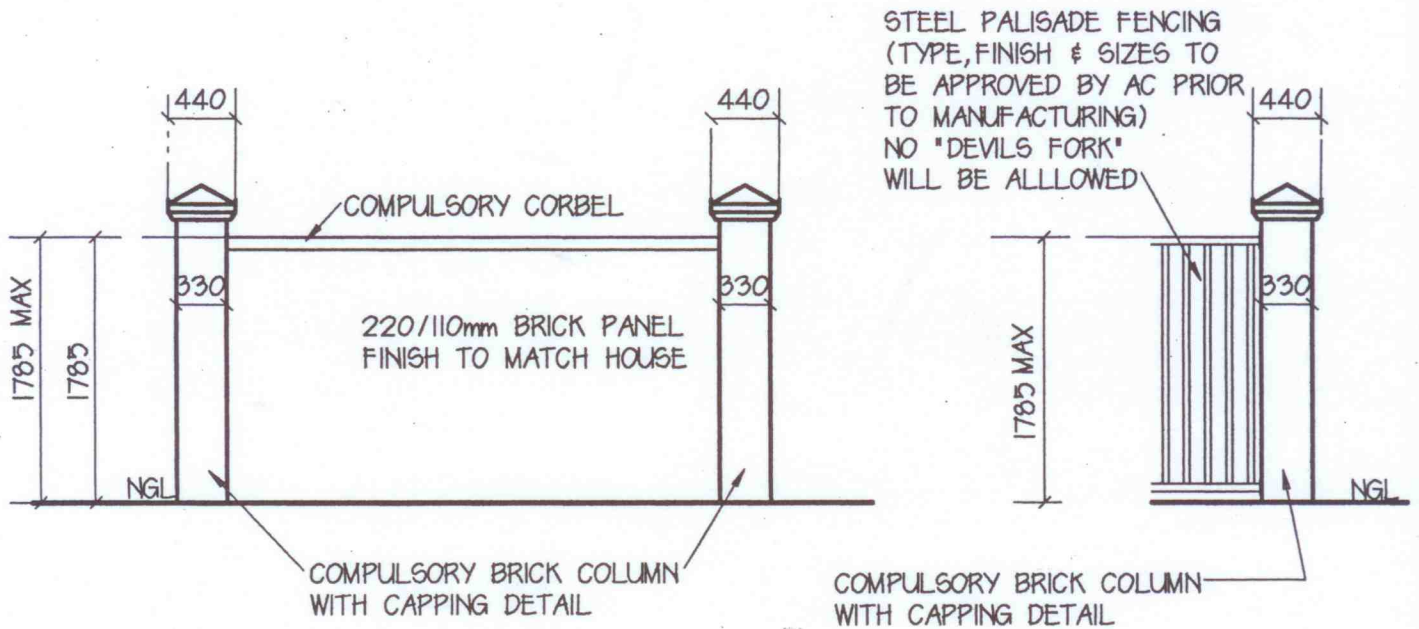
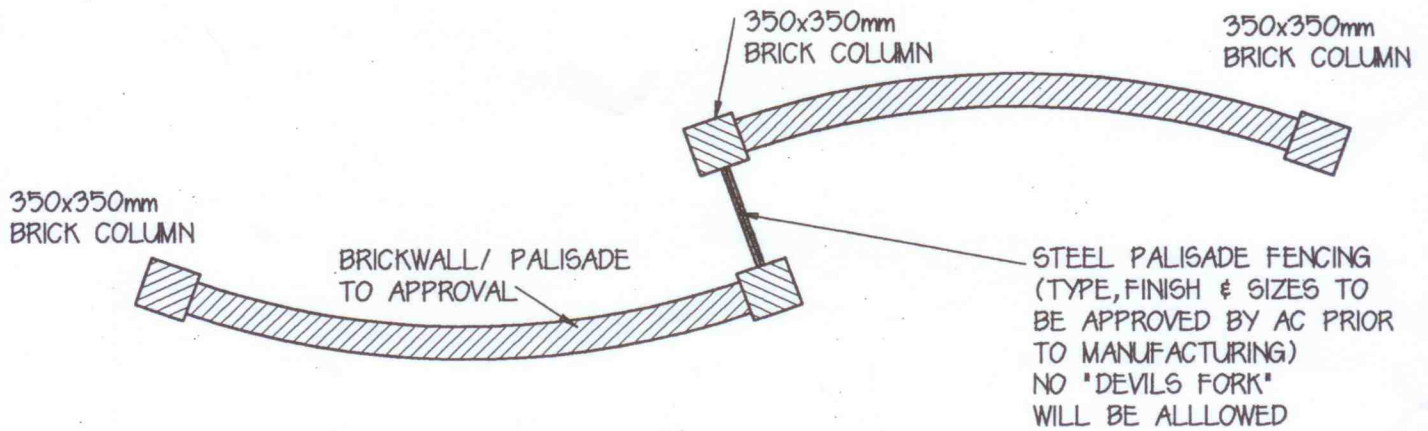


# STREET BOUNDARY WALL MODULES OPTION 1

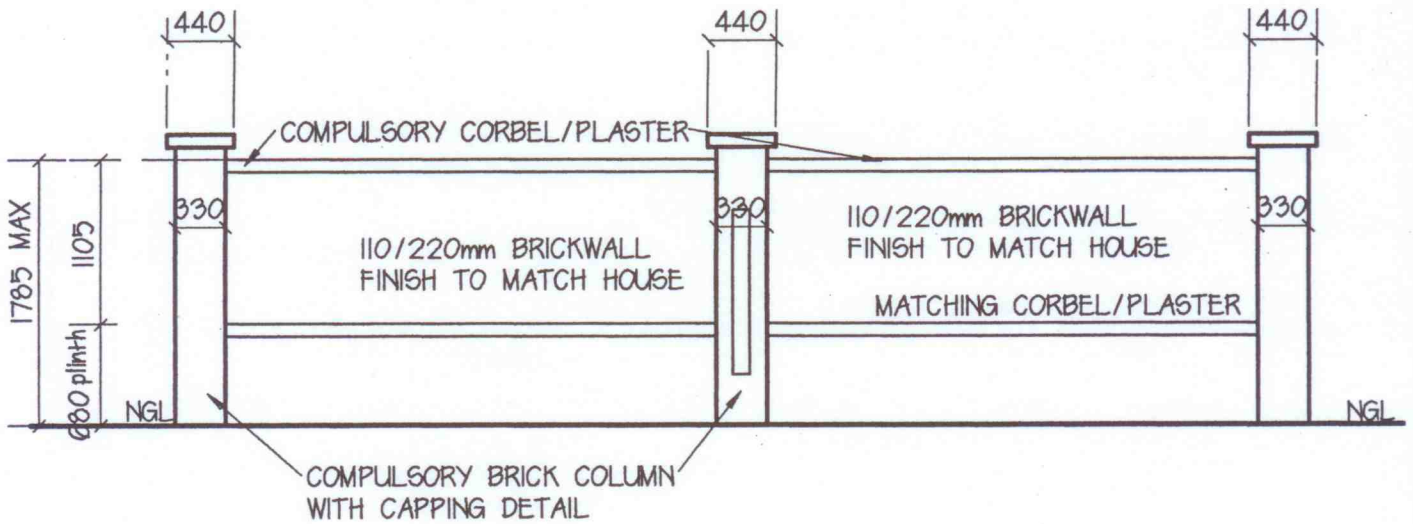


ELEVATION

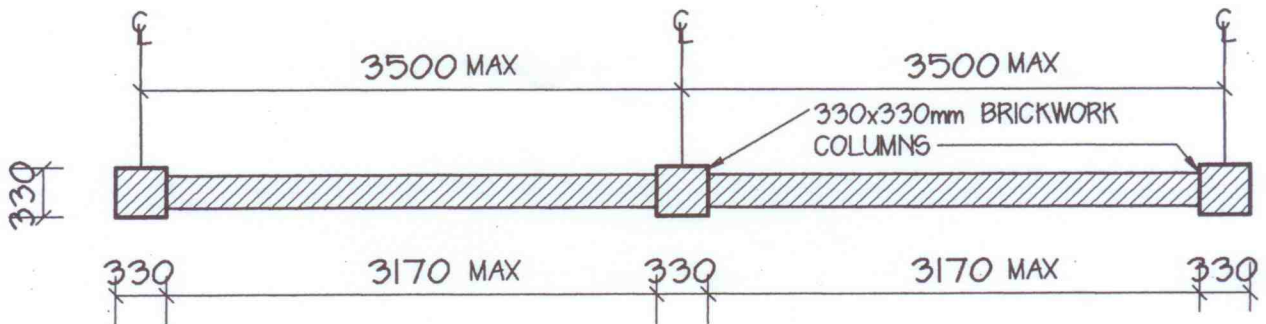


PLAN

# STREET BOUNDARY WALL MODULES OPTION 2



ELEVATION



PLAN